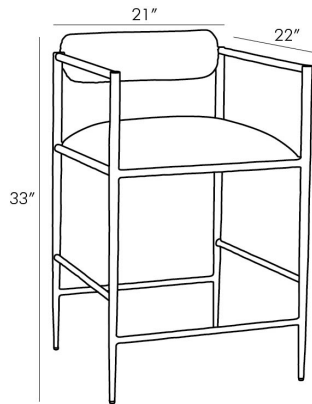


# ARTERIOS

## BARBANA COUNTER STOOL PEWTER TEXTURE



4708

H: 33 IN, W: 21 IN, D: 22 IN

Pewter Texture

Contract Recommendations: Adding a lacquer coating provides additional pro-

This exquisite stool is perfectly poised, perched on delicate legs that are as faint as insects! The natural iron body has been hand-forged, yielding soft impressions along the sharp-angled frame. The tight seat and bolster back cushion are covered in a luxuriously textured pewter poly-blend. Finish may vary. Also available in bar height (4709) and as a chair (4543).

### APPEARANCE

Material	Iron, Texture
Finish	Pewter
Top Coat/Sealant	false

### DIMENSIONS

Arm	H: 31 IN
Yardage To Reupholster	1
Seat Height	24 IN

### SHIPPING

Product Weight	46.5 LBS
Gross Weight 1	67 LBS
Shipping Box 1	H: 26 IN, L: 38 IN, W: 24 IN

### ADDITIONAL INFO

Fabric Composition	100% Polyester
Fabric Double Rub Count	15,000
Fabric Compliancy	NFPA-260, TB117-2013

### CONTRACT

Contract Suitable	Adding a lacquer coating provides additional protection
Contract Textile Suitability	Low Traffic/Private Spaces
Swatch Number	X30SW, X308X8