



ASSEMBLY INSTRUCTION



Sunpan Item No: **106292**

Sunpan Product Name: **ENCO BISTRO TABLE - SQUARE - 24"**

Please visit our website www.sunpan.com for more great products.

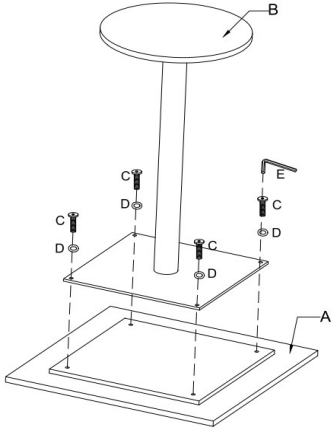

For assembly questions please call **1-800-787-1019 (or +1-416-736-0094)** outside North America or email to info@sunpan.com

PARTS LIST

Before you begin, please layout all parts and ensure you have the correct count

PARTS	DESCRIPTION	Qty	ILLUSTRATION
A	Marble Top	1	
B	Stainless Steel Base	1	
C	Bolt (M8×20mm)	4	
D	Pad (Φ19mm)	4	
E	Allen Key 5mm	1	

ASSEMBLY INSTRUCTIONS

STEPS	DESCRIPTION	ILLUSTRATION
1	Place Base (B) onto bottom of Marble Top (A). Tighten the Bolt (C) and Pad (D) by using the Allen Key (E).	
2	Assembly completed.	

ASSEMBLY TIPS:

Please check parts and hardware before assembling. Follow each instruction step by step.

Place a protective pad or piece of cardboard on the floor while assembling your item on top of it.

Remove all parts from the carton and separate them into part numbers/groups as indicated on the part list.

Please follow instructions in the sequence as numbered to assure fast/easy assembly.

WARNING:

Don't attempt to repair or modify parts that are broken or defective - if you find a broken part please contact us for replacement.

Keep all hardware parts out of the reach of children.

FURNITURE CARE:

Following these few basic steps will help to ensure that you enjoy your furniture for a long time:

Do not expose your furniture to direct sunlight, dampness or any heat, like a hot cup of coffee or tea. Always use a coaster.

Excessive exposure to sunlight may cause fading.

Excessive temperature and humidity or cold may cause cracking or splitting.

Dust with a clean, damp, lint free cloth.

Use a damp cloth with water or mild detergent to clean all surfaces - do not use chemicals or paint thinner which will fade the surface.

Place a piece of felt or a pad under the legs of your furniture to avoid scratching the floor.