

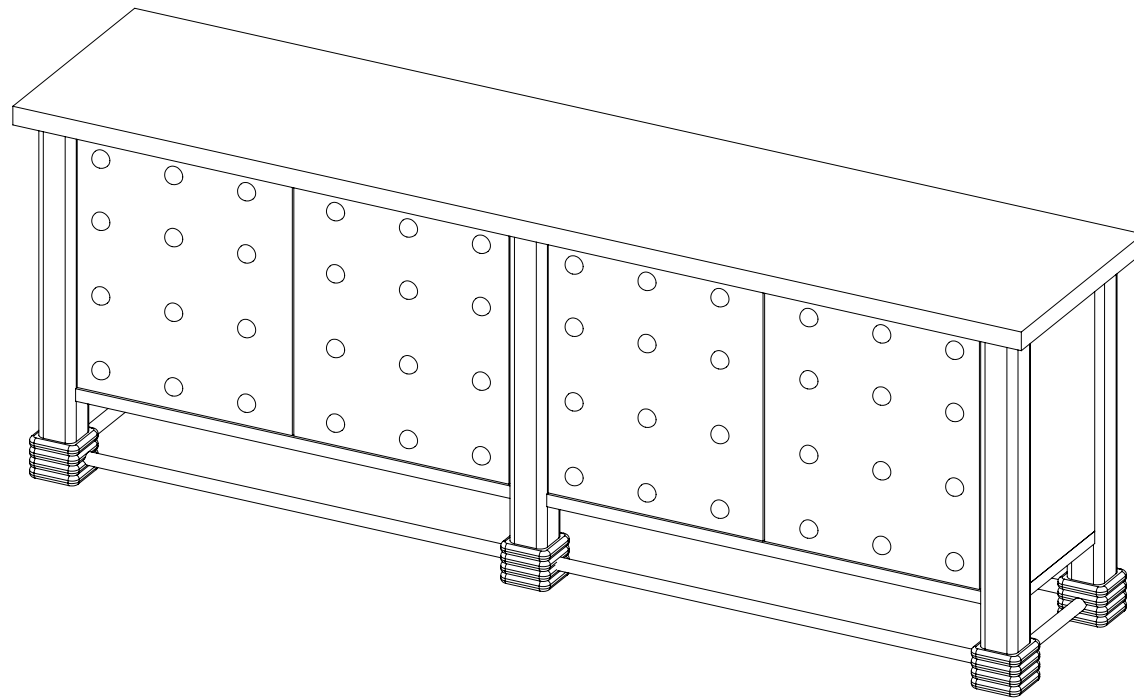
MOE'S

home collection

ASSEMBLY INSTRUCTIONS.

CLEMENT SIDEBOARD WHITEWASHED

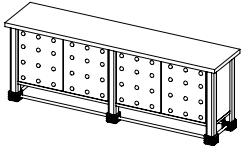
PZ-1007-18








THANK YOU FOR YOUR PURCHASE!

PARTS AND HARDWARE.

PARTS LIST

| No. | DESCRIPTION | IMAGE | Q'TY |
|-----|-------------|---|------|
| P1 | BODY |  | 1 |

HARDWARE LIST

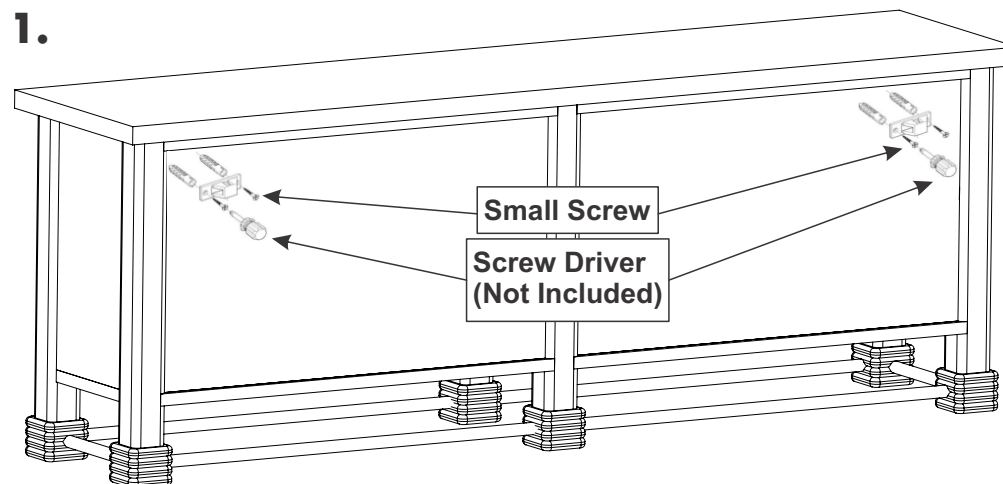
| No. | DESCRIPTION | IMAGE | Q'TY |
|-----|---|---|------|
| H1 | BRACKET |  | 4 |
| H2 | LONG SCREW LENGTH 0.150x1"(40x25.4 mm) |  | 4 |
| H3 | SMALL SCREW LENGTH 0.150x.75"(40x19.05 mm) |  | 4 |
| H4 | NYLON STRAP |  | 2 |
| H5 | WALL PLUG |  | 4 |

NOTES.

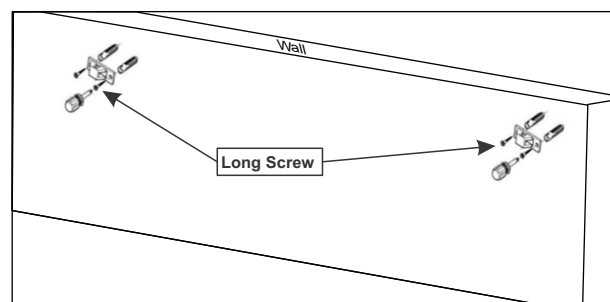
Thank you for purchasing this quality product! Be sure to check all packing material carefully for small part that may have come loose inside the carton during shipping.

CAUTION: The item is heavy, assembly should be performed by two people.

STEP 1.



STEP 2.



STEP 3.

