

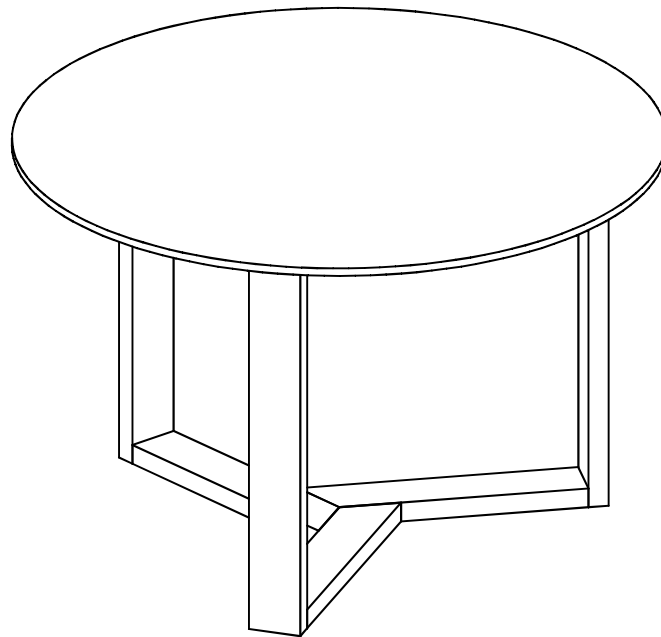
# MOE'S

home collection

## ASSEMBLY INSTRUCTIONS.

JINXX DINING TABLE

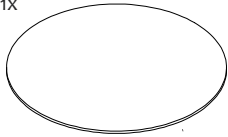
JD-1009-18



THANK YOU FOR YOUR PURCHASE!

## PARTS AND HARDWARE.

(A) Top , 1x



(D) Hex bolt , 12x



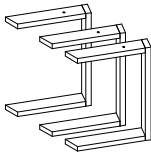
(20x8mm)

(E) Hex bolt , 3x



(50X10mm)

(B) Leg , 3x



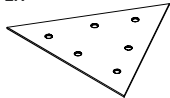
(G) Washer , 3x



(F) Washer , 12x



(C) Iron Plate , 2x



(H) Wrench , 1x



(13 No)

(I) Wrench , 1x



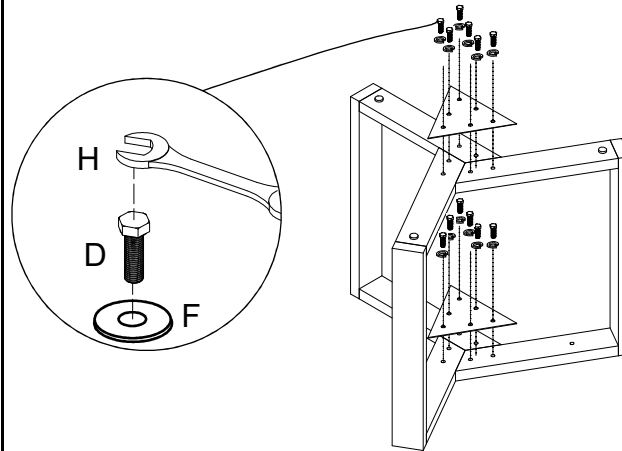
(17 No)

## NOTES.

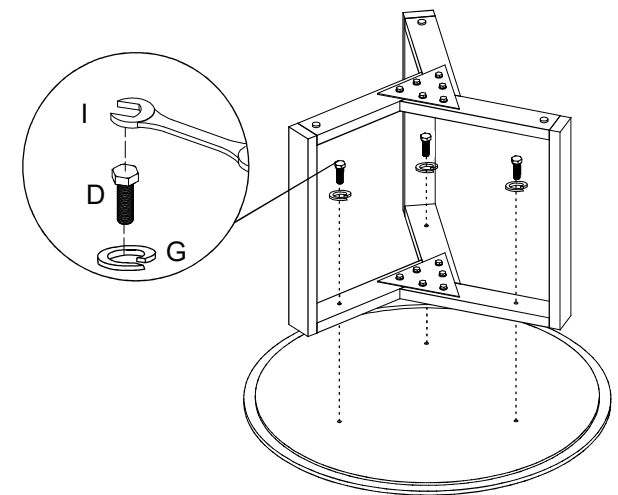
Thank you for purchasing this quality product! Be sure to check all packing material carefully for small part that may have come loose inside the carton during shipping.

**CAUTION:** The item is heavy, assembly should be performed by two people.

## STEP 1.



## STEP 2.



## STEP 3.

