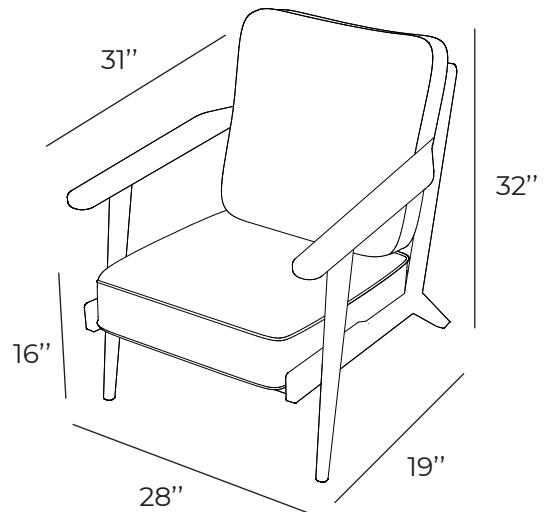


# DALA DECOR

## Francis Lounge Chair



### PRODUCT DETAILS

**SKU:** 1019

**Colors:** Matte Black

**Materials:** Beech wood frame, commercial grade fabric

**Seat Capacity:** 350lbs.

**Overall Dimensions:** 28"W x 31"D x 32"H

**Seat Depth:** 19"

**Seat Height:** 16"

**Seat Construction:** Wooden Platform

**Commercially Viable:** Yes



\*2 year Warranty on manufacturer defects

[www.daladecor.com](http://www.daladecor.com)

(613) 693-0770