

Assembling Instruction

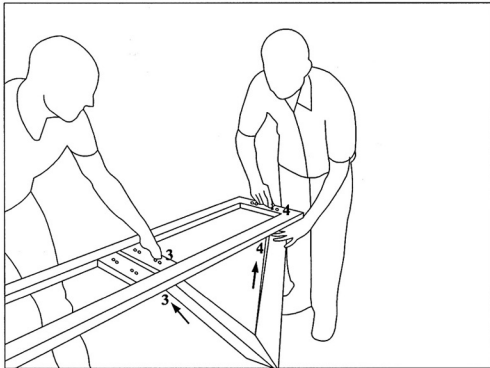
Valo Dining Table

A =  = 22 pcs

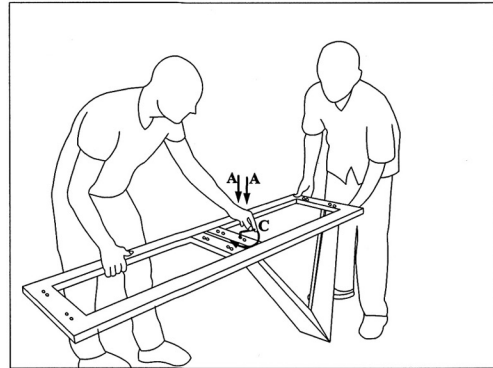
B =  = 4 pcs

C =  = 2 pcs

①

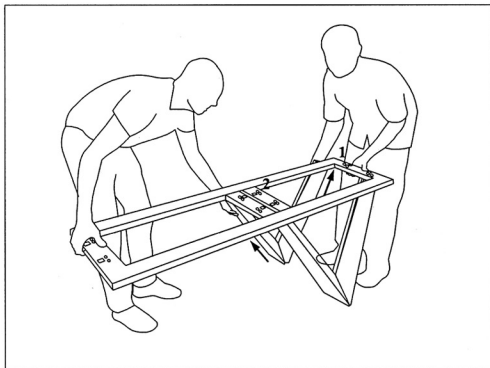


Install first leg with the frame. Match the number on the leg and frame to place leg on the right position.

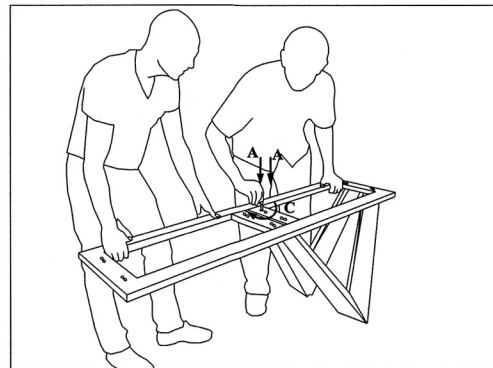


Install bolt "A" to hole.
Tighten firmly the bolt, using key "C"

②

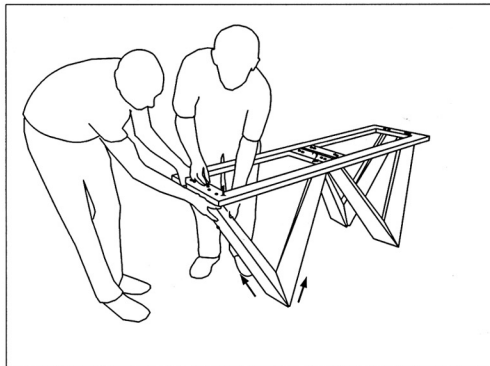


Install the second leg with the frame. Match the number on the leg and frame to place leg on the right position.

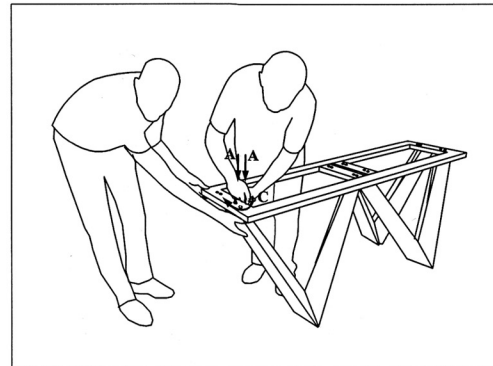


Install bolt "A" to hole.
Tighten firmly the bolt, using key "C"

③

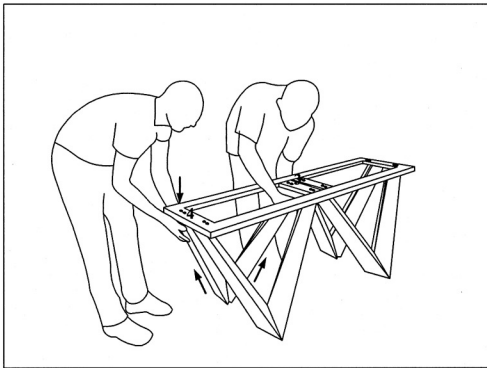


Install the third leg with the frame. Match the number on the leg and frame to place leg on the right position.

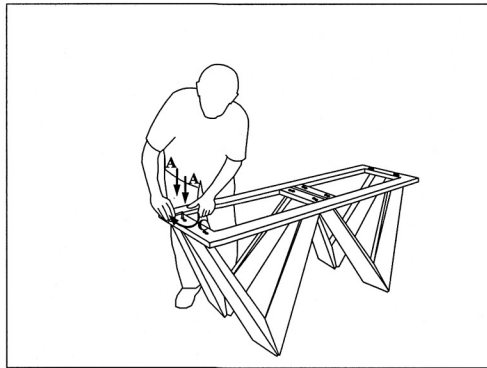


Install bolt "A" to hole.
Tighten firmly the bolt, using key "C"

4

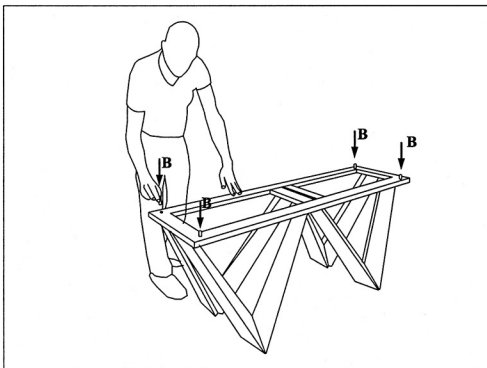


Install the last leg with the frame. Match the number on the leg and frame to place leg on the right position.



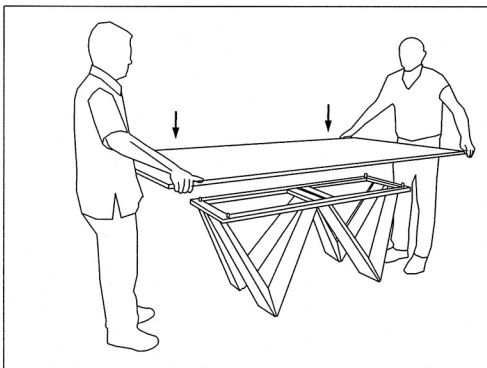
Install bolt "A" to hole.
Tighten firmly the bolt, using key "C"

5



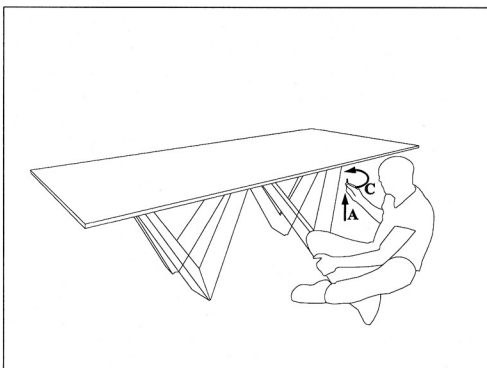
Install dowel "B" into the hole
on all four corner.

6



Place the top on frame, follow the dowel
to guide the position.

7



Install bolt "A" to hole.
Tighten firmly the bolt, using key "C"