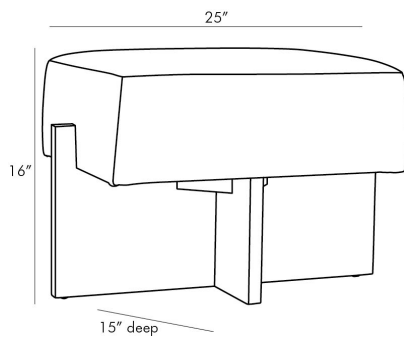


# ARTERIOS

## TUCK OTTOMAN BONE LINEN

RAY BOOTH



DB8002

H: 16 IN, W: 25 IN, D: 15 IN

Bone Linen

Contract Suitable As Is

The Tuck Ottoman by Ray Booth features a classic push/pull in its warm modern jacobean walnut base and plush bone linen seat. The design transcends trend timeless in form and function. Great paired together at the foot of a bed or used as a stool to kick up your feet.

### APPEARANCE

Material	Linen, Walnut Veneer
Finish	Bone, Jacobean
Top Coat/Sealant	false

### DIMENSIONS

Yardage To Reupholster 1.7

### SHIPPING

Product Weight	20.5 LBS
Gross Weight 1	25 LBS
Shipping Box 1	H: 20 IN, L: 29 IN, W: 16 IN

### ADDITIONAL INFO

Fabric Composition	100% Belgian Linen
Fabric Double Rub Count	25,000
Fabric Compliancy	Barrier Cloth used for TB117-2013 and NFPA-260

### CONTRACT

Contract Suitable	true
Contract Textile Suitability	Low Traffic/Private Spaces
Swatch Number	L17SW, L178X8