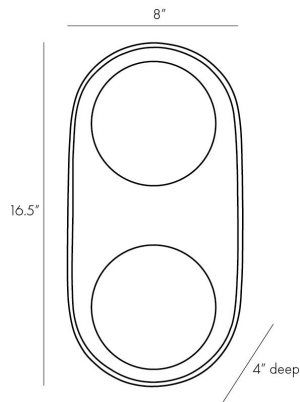


ARTERIO RS

GLAZE LARGE SCONCE

WORKSHOP



DA49006

H: 16.5 IN, W: 8 IN, D: 4 IN

Blackened Steel, Ivory Stained Crackle

Ceramic

Contract Suitable As Is

A stunning ivory stained crackle glaze brings warmth and depth to this uniquely modern, minimalist design. The ceramic shade is complimented by double frosted glass lights that cast a warm, flattering glow. Equally at home in bathrooms and corridors, at the bedside and in hospitality settings, the Glaze Large Sconce is versatile and playful, offering endless possibilities when paired with additional Glaze Single and Dome

APPEARANCE

Material	Ceramic, Glass, Steel
Material Type	Frosted
Finish	Blackened Steel, Ivory Stained Crackle, Opal
Finish Will Vary	true
Top Coat/Sealant	false

DIMENSIONS

Globe	3.5 IN
Backplate	Dia: 6.00 IN H: 14 IN, W: 5 IN, D: 1 IN

WIRING

Rating	Damp
Cert Note	Cannot be rewired for INTL use.
Cord	1 FT, Black, SVT
Socket	2, G9 Ceramic
Maximum Watt	25
Voltage	110-120 V

CERTIFICATIONS

Certifications	Mexico United States, Canada
----------------	---------------------------------

COMPLIANCY

UL/ETL	Yes
RoHS	true

SHIPPING

Product Weight	6.2 LBS
Gross Weight 1	8 LBS
Shipping Box 1	H: 11.5 IN, L: 9 IN, W: 12.5 IN

ADDITIONAL INFO

Features	ADA
----------	-----

CONTRACT

Contract Suitable	true
-------------------	------