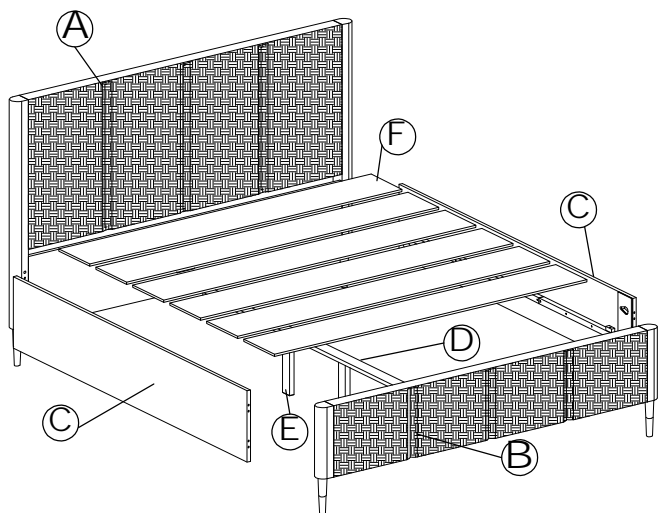


# ASSEMBLY INSTRUCTIONS

## LONNIE BED






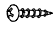
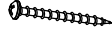

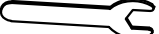
### POLO CLUB MUSLIN-105043/104398



#### Parts Check List

Code	Components	Qty
(A)	HEAD BOARD	x01
(B)	FOOT BOARD	x01
(C)	SIDE RAIL	x02
(D)	CENTER SUPPORT	x01
(E)	CENTER LEG	x02
(F)	SLAT	x01

#### Hardware Check List

Code	Description	Qty
01	Bol t 	x04
02	Hanger bol t 	x08
03	D Washer 	x08
04	Spring Washer 	x08
05	Nut 	x08
06	Short Screw 	x02
07	Long Screw 	x24
08	All en key 	x01
09	Spanner 	x01

- PLEASE DO NOT DISCARD ANY OF THE PACKAGING UNTIL YOU HAVE CHECKED ALL THE PARTS AND THE PACKS OF HARDWARE.

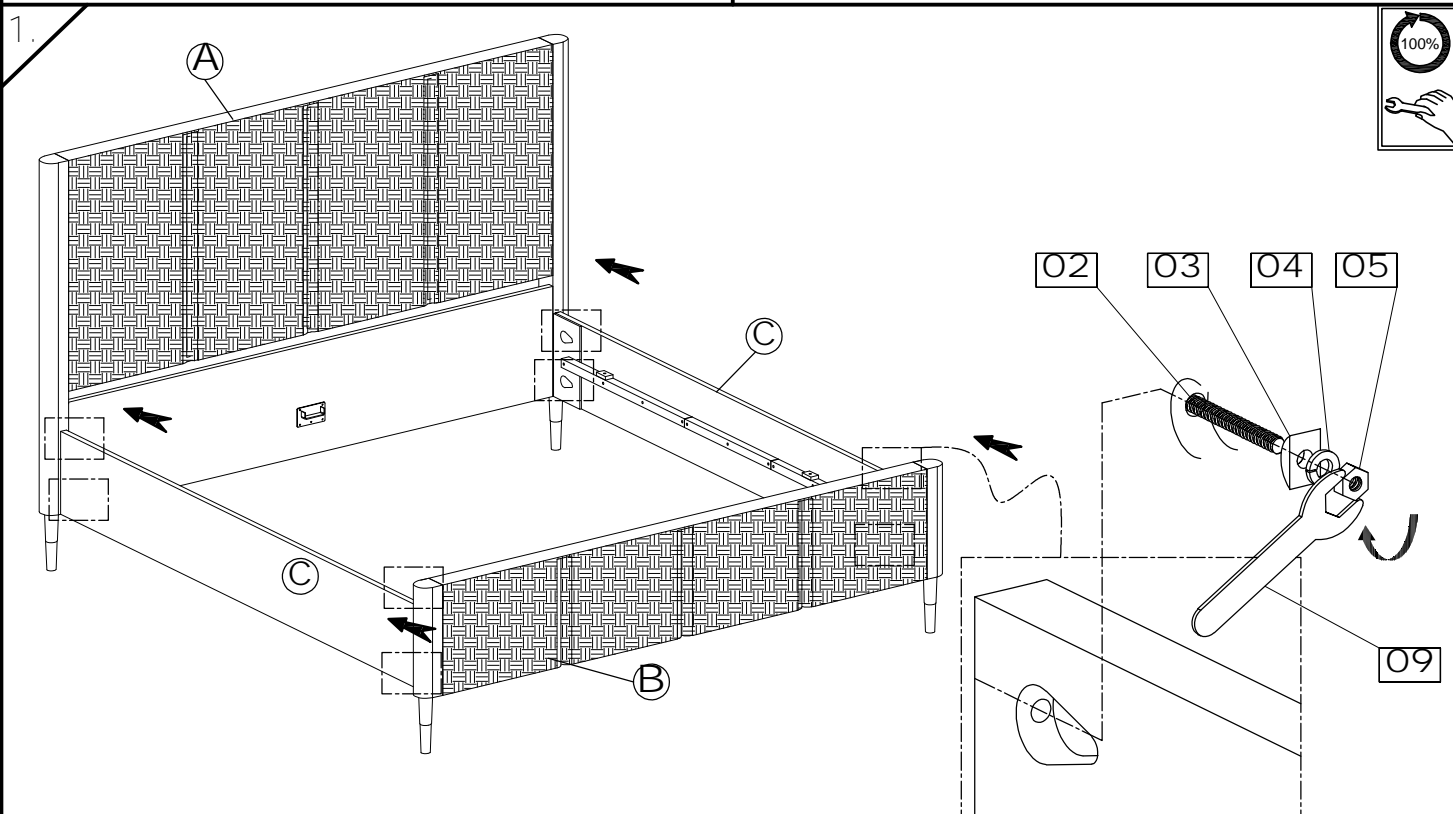
- BEFORE YOU BEGIN TO ASSEMBLE YOUR NEW PIECE OF FURNITURE, PLEASE CHECK TO ENSURE THAT ALL PARTS HAVE BEEN SUPPLIED.

- FOLLOW INSTRUCTIONS CLOSELY AS DEVIATION FROM THEM MAY VOID YOUR WARRANTY AND PRESENT A POSSIBLE SAFETY RISK.

- IT IS RECOMMENDED THAT ASSEMBLY IS DONE ON A SOFT SURFACE LIKE CARPET TO AVOID ANY DAMAGE.

- PERIODICALLY CHECK AND RE-TIGHTEN ANY FASTENERS. WIPE DOWN ALL SURFACES WEEKLY WITH A CLEAN CLOTH. DO NOT CLEAN ANY SURFACES WITH HARSH ABRASIVES OR CHEMICALS.

Phillips head screwdriver tool needed  
(Not included)

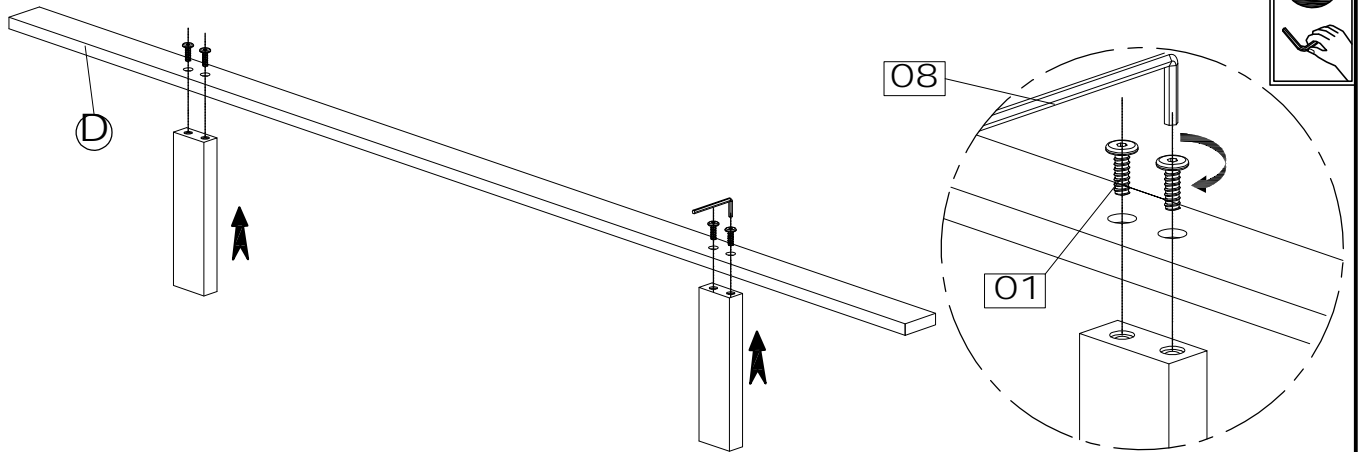


# ASSEMBLY INSTRUCTIONS

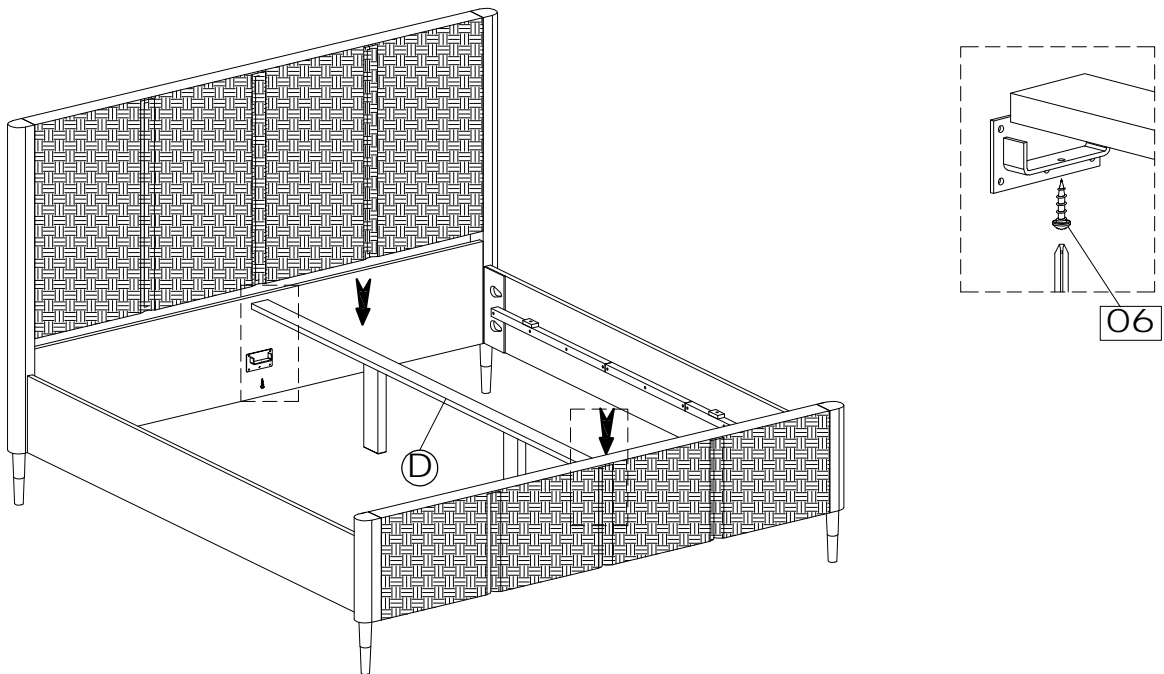
## LONNIE BED

### POLO CLUB MUSLIN-105043/104398

2.



3.



4.

