

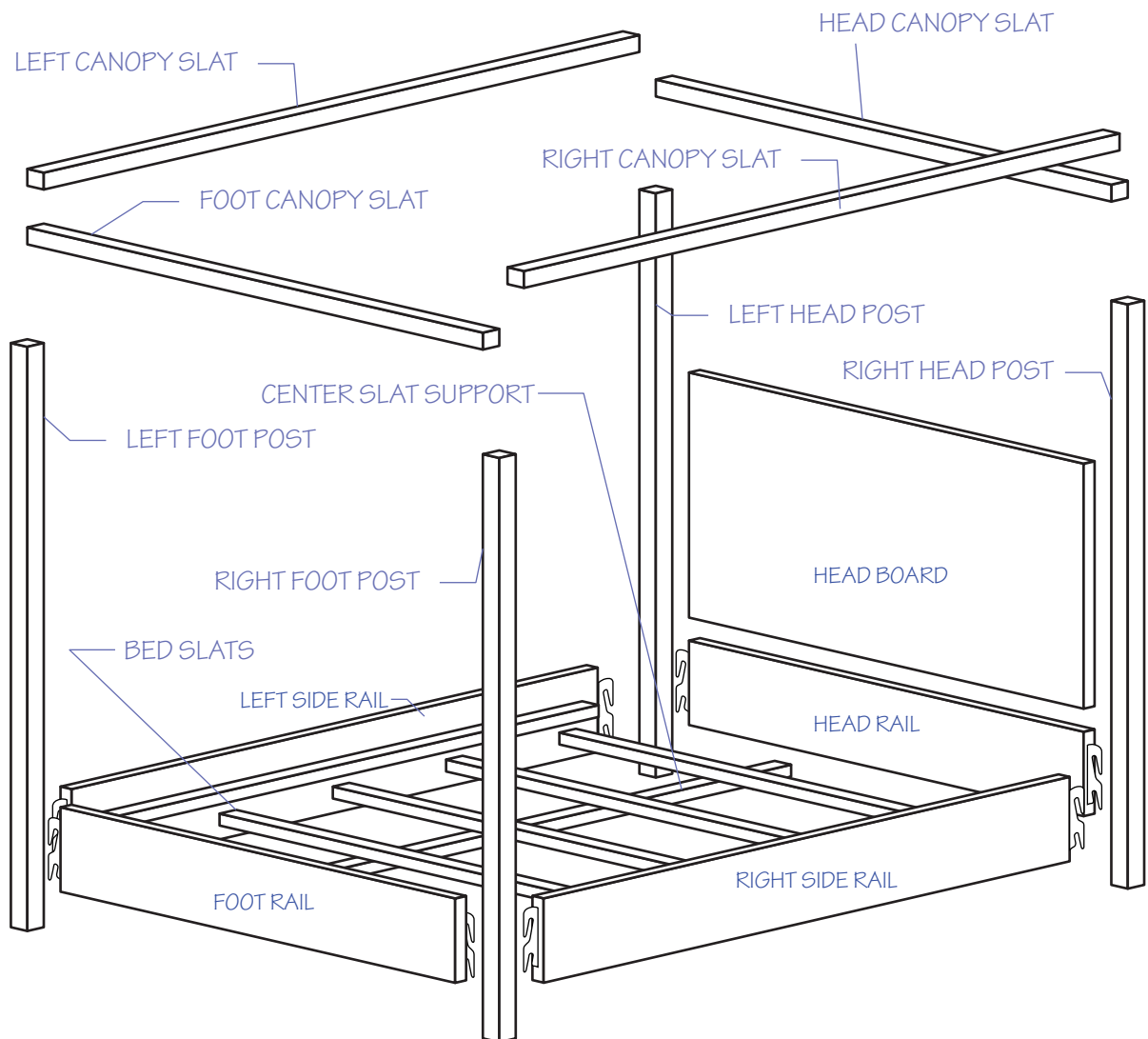
PALECEK™

601 PARR BOULEVARD, RICHMOND, CA 94801

WOODSIDE CANOPY BED ASSEMBLY INSTRUCTIONS

These instructions are provided for your safety. It is very important that they are read carefully and completely before beginning assembly of this product.

- PARTS: POSTS- x4
FOOT RAIL- x1
HEAD RAIL- x1
SIDE RAILS- x2
HEADBOARD-x1
CANOPY SLATS- x4
CENTER SLAT SUPPORT- x1
BED SLATS- x4
WOOD SCREWS- x4
BOLTS- x4



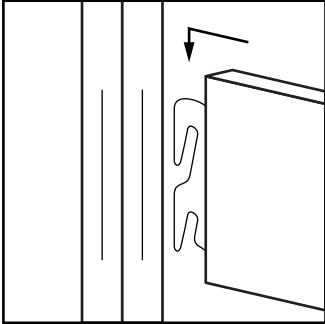
T. 800.274.7730 | F. 510.234.7234

PALECEK.COM

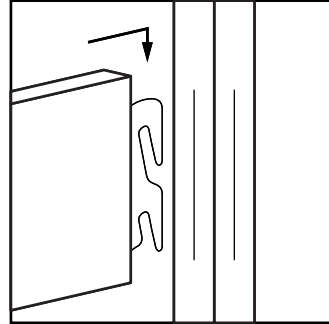
PALECEK™

601 PARR BOULEVARD, RICHMOND, CA 94801

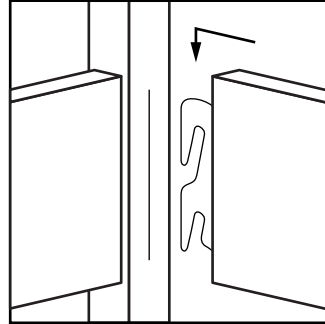
WOODSIDE CANOPY BED ASSEMBLY INSTRUCTIONS



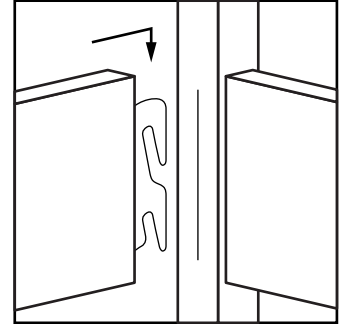
STEP 1:
Insert hooks from **Head Rail** into **Left Head Post**.



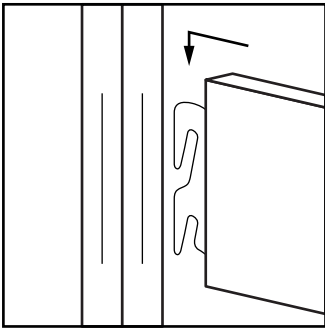
STEP 2:
Insert hooks from **Head Rail** into **Right Head Post**.



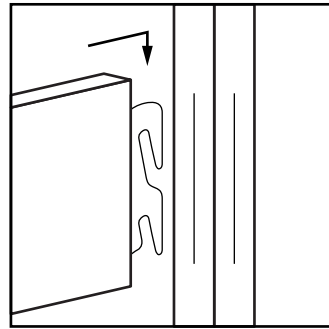
STEP 3:
Insert hooks from **Right Side Rail** into **Right head Post**.



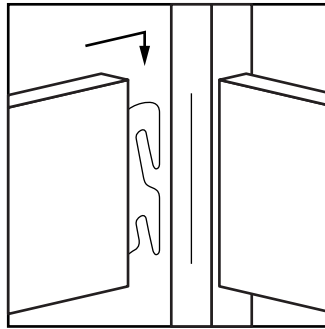
STEP 4:
Insert hooks from **Left Side Rail** into **Left Head Post**.



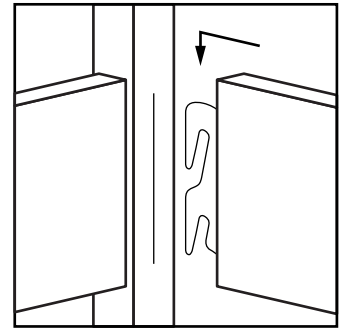
STEP 5:
Insert hooks from **Foot Rail** into **Left Foot Post**.



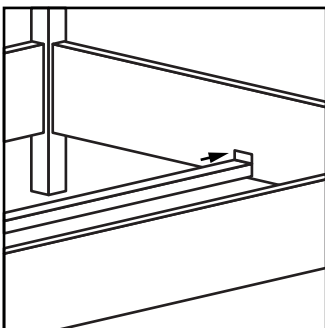
STEP 6:
Insert hooks from **Foot Rail** into **Right Foot Post**.



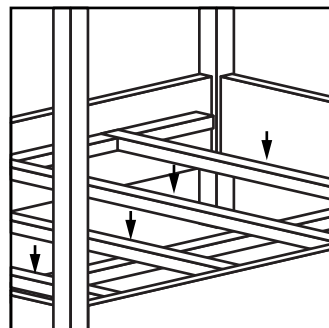
STEP 7:
Insert hooks from **Right Side Rail** into **Right Foot Post**.



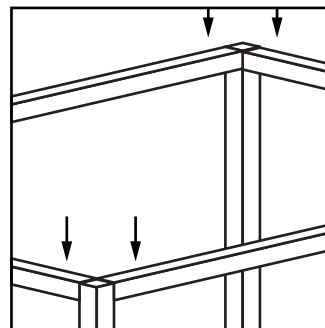
STEP 8:
Insert hooks from **Left Side Rail** into **Left Foot Post**.



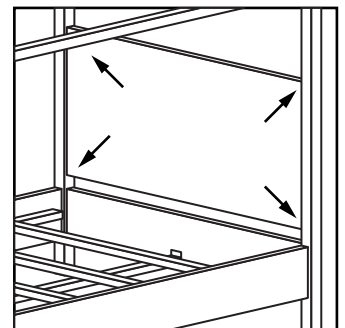
STEP 9:
Attach **Center Slat Support** to **Head Rail** and **Foot Rail**, using machine bolt.



STEP 10:
Insert **Bed Slats** into **Side Rails**.



STEP 11:
Install **Canopy Slats** to **Posts** with machine bolt.



STEP 12:
Install **Head Board** panel to **Head Posts** using **Wood Screws**.