


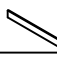





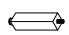






ASSEMBLY INSTRUCTION

ITEM: 6350-90667-80 Jetty 6/0-6/6 Poster Headboard
 6350-90668-80 Jetty 6/0-6/6 Poster Footboard
 6350-90651-80 Jetty 5/0 Poster Headboard
 6350-90652-80 Jetty 5/0 Poster Footboard
 6350-90653-80 Jetty 5/0-6/6 Rails
 6350-90663-80 Jetty 6/0 Rails

Thank you for purchasing this quality product. Be sure to unpack carefully looking for small parts which may have come loose during shipment.

Read all instruction and study the drawing carefully before starting the assembly process.

HARDWARE PACK					PARTS LIST			
NO.	DRAWING	DESCRIPTION	SIZE	Q'TY	NO.	DRAWING	DESCRIPTION	Q'TY
A		Open Wrench	Ø5/16"	1 PC	1		Headboard	1 PC
B		Nut	Ø5/16"	8 PCS	2		Rail	2 PCS
C		Curved Washer	Ø5/16"	8 PCS	3		Footboard	1 PC
D		Threaded Rod	5/16*100mm	8 PCS	4		Slat	4 PCS (5/0) 5 PCS (6/0-6/6)
E		Screw	8*32mm	16 PCS (5/0) 20 PCS (6/0-6/6)	5		Support Leg	4 PCS (5/0) 5 PCS (6/0-6/6)
					6		Headboard Post	2 PCS
					7		Footboard Post	2 PCS
					8		Bun Foot	2 PCS
					9		Footboard Cap	2 PCS

Please note the hardware bag to assemble side rails to HB&FB is in the box of side rails.

Step 1: Attach Rails (2) to Headboard (1) and Footboard (3) by using Threaded Rods (D), Curved Washers (C) and Nuts (B), tighten them with Open Wrench (A) .

Step 2: Attach Support Legs (5) to Slats (4).

Step 3: Attach Slats (4) to the Rails (2) and tighten them by using Phillips head screwdriver.

Step 4: Install the Bun Feet (8) in clockwise direction into the bottom of the Footboard (3).

Step 5: Install the Headboard Posts (6) in clockwise direction onto the Headboard (1).

Note: You can install the Footboard Posts (7) onto the Headboard (1) or install the Footboard Cap (9) in clockwise direction into the bottom of the Footboard (3) as shown in Step 6.

ASSEMBLY INSTRUCTION

ITEM: 6350-90667-80 Jetty 6/0-6/6 Poster Headboard
 6350-90668-80 Jetty 6/0-6/6 Poster Footboard
 6350-90651-80 Jetty 5/0 Poster Headboard
 6350-90652-80 Jetty 5/0 Poster Footboard
 6350-90653-80 Jetty 5/0-6/6 Rails
 6350-90663-80 Jetty 6/0 Rails

Thank you for purchasing this quality product. Be sure to unpack carefully looking for small parts which may have come loose during shipment.

Read all instruction and study the drawing carefully before starting the assembly process.

